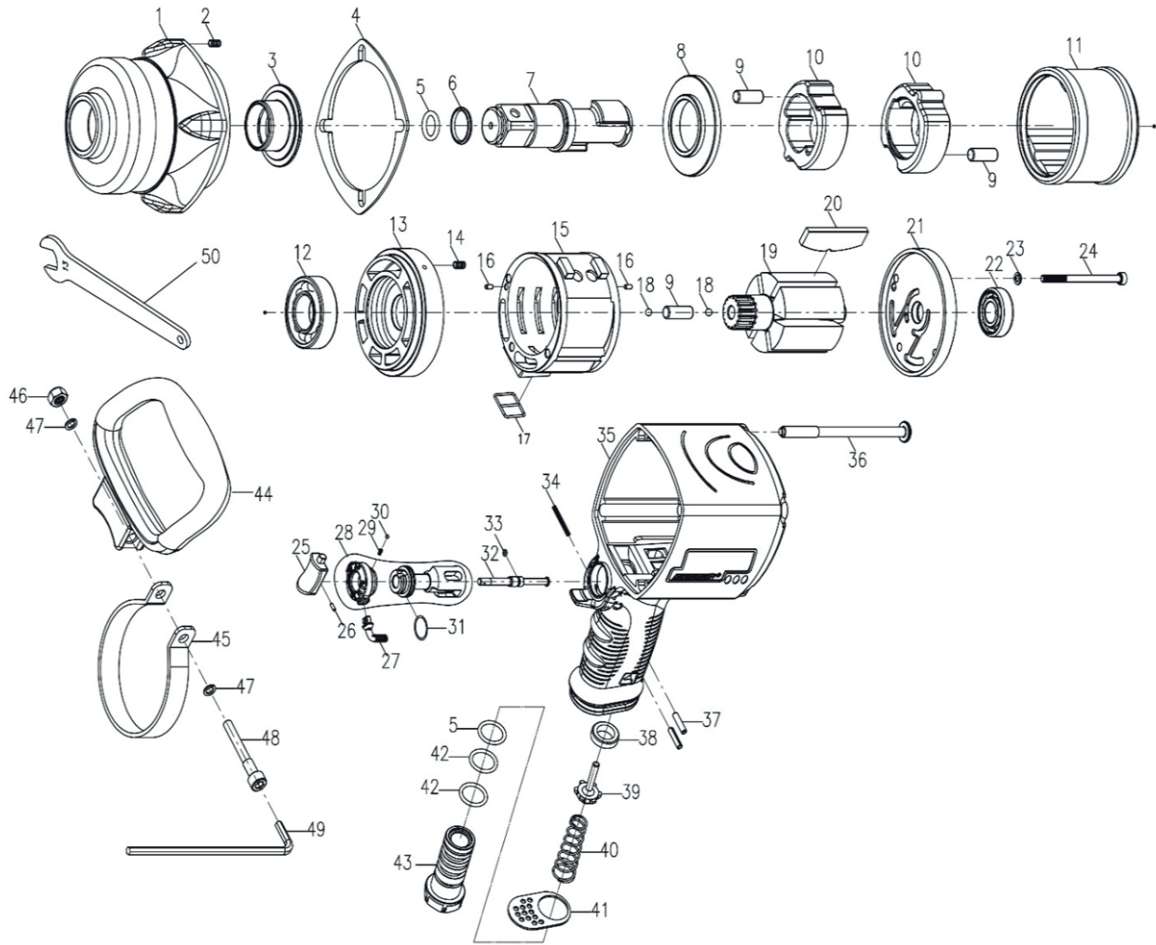


RRI-3700M 1" IMPACT WRENCH



Index No.	Part No.	Description	Q'ty
1	2824-002	Hammer Case	1
2	00-4303	Helicoil (M8x1.5D)	4
3	2824-010	Anvil Bushing	1
4	2824-022	Front Gasket	1
5	00-4124	O-Ring (P18)	2
6	310-038	Anvil Collar	1
7	2824-011C8	Anvil	1
	2824-011D8	7"Anvil	1
	2824-011E8	3"Anvil	1
8	2824-019B	Hammer Cage Cover	1
9	2824-016	Hammer Pin	3
10	2824-017B	Hammer	2
11	2824-012B	Hammer Cage	1
12	00-2301	Ball Bearing (6205Z)	1
13	2824-005	Front End Plate	1
14	00-4302	Helicoil (M5x1.5D)	3
15	2824-006	Cylinder	1
16	00-3460	Pin (Ø4x8L)	2
17	2824-030	Square Ring	1
18	00-3823	Steel Ball (Ø5)	2
19	2824-007	Rotor	1
20	2824-008	Rotor Blade	6
21	2824-009	Rear End Plate	1
22	00-2304A	Ball Bearing (6202)	1
23	00-1802	Spring Washer (M5)	3
24	00-0166	Cap Screw (M5x75L)	3
25	2824-023	Trigger	1
26	00-3325	Spring Pin (Ø2x6L)	1

Index No.	Part No.	Description	Q'ty
27	243Q-035B	Tab	1
28	2824-034B	F/R Lever	1
	2824-021	R/F Valve	1
29	305Y-027	Spring	1
30	00-3816	Steel Ball (Ø2.5)	1
31	00-41145	O-Ring (Ø18xØ1.5)	1
32	2824-029	Trigger pin	1
33	00-4196	O-Ring (Ø5xØ1)	1
34	00-3358	Spring Pin (Ø3x28L)	1
35	2824-001	Motor Housing	1
36	2824-028	Screw	4
37	00-3323	Spring Pin (Ø4x18L)	2
38	314-027-B	Bushing	1
39	314-026-B	Valve Stem	1
40	318F-036-B	Spring	1
41	2824-035	Exhaust Deflector	1
42	00-4133	O-Ring(P20)	2
	2824-025A	Air Inlet (1/2"PF)	
	2824-025B	Air Inlet (1/2"PT)	1
	2824-025C	Air Inlet (1/2"NPT)	
43			
44	2824-026B	D-Type Handle	1
45	2824-024B	Handle Clamper	1
46	00-2001	Lock Nut	1
47	00-1808	Spring Washer (M8)	6
48	00-0167	Cap Screw (M8x60L)	1
49	00-3909	6 mm Hex. Wrench	1
50	531-030	Spanner	1