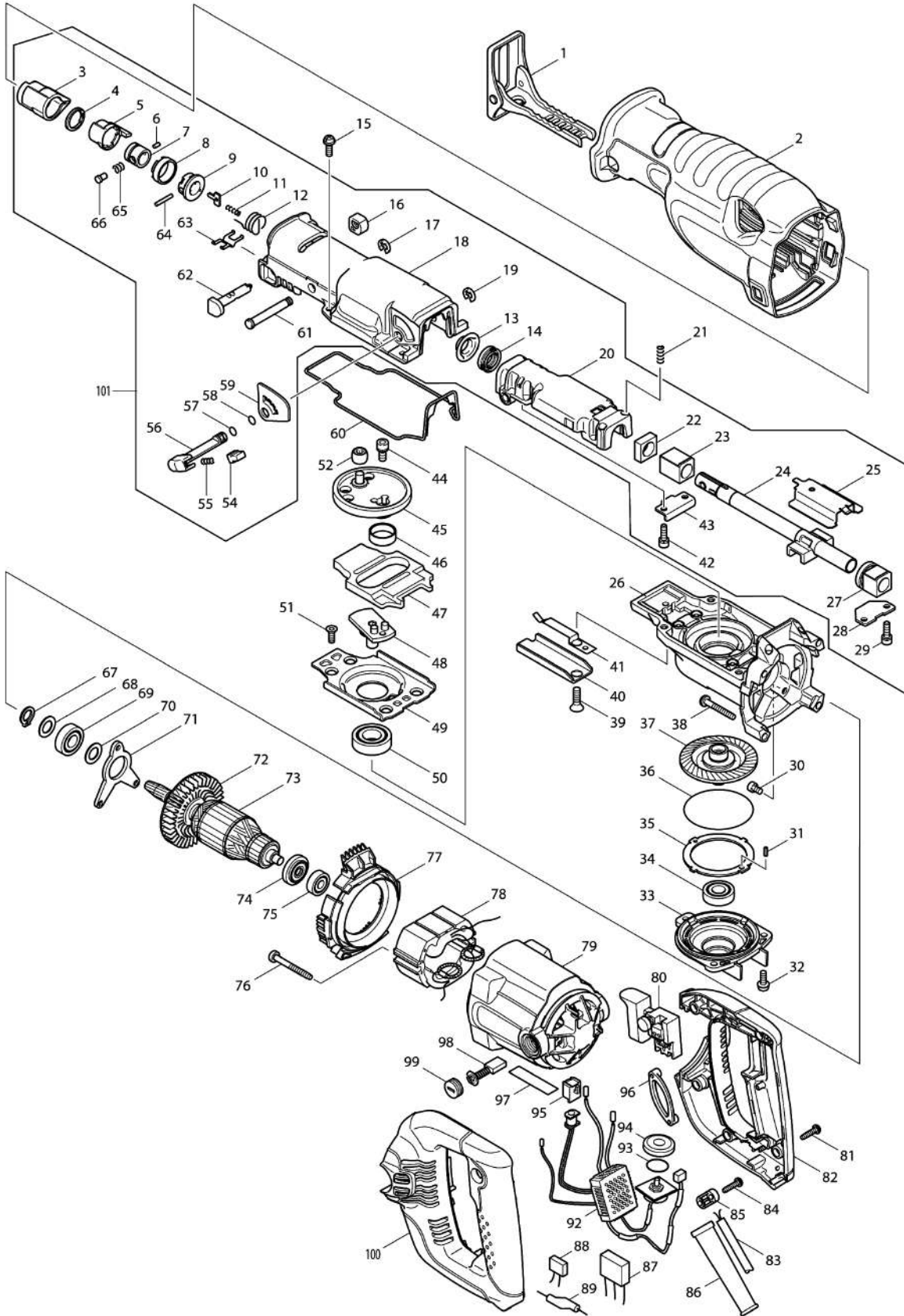


Model No. JR3070CT RECIPRO SAW



Model No.JR3070CT RECIPRO SAW

Item	Parts No.	Description	I/C	Qty	New/Old	Opt. 1	Opt. 2	Note
001	165406-0	SHOE		1				
002	421904-7	INSULATION COVER		1				
003	421894-4	PROTECTOR		1	*			
003-1	424147-0	PROTECTOR	S	1				
004	961078-7	RETAINING RING (EXT) S-18		1	*			
004-1	257952-8	RETAINING RING (EXT) 18	S	1	*			
004-2	257430-8	RETAINING RING(EXT)18	S	1				
005	310160-3	DRIVING SLEEVE		1	*			
005-1	310160-3	DRIVING SLEEVE	O	1	*			
005-2	310285-3	DRIVING SLEEVE	S	1				
006	268094-3	PIN 3		1				
007	331639-1	GUIDE SLEEVE		1	*			
007-1	331720-8	GUIDE SLEEVE	S	1	*			
007-2	327043-0	GUIDE SLEEVE	S	1				
008	417791-0	DRIVING SLEEVE GUIDE		1				
009	418311-3	SLEEVE		1				
010	345214-7	PUSH PLATE		1				
011	233025-1	COMPRESSION SPRING 2		1				
012	231687-9	TORSION SPRING 17		1				
013	257742-9	SHOULDER SLEEVE 14		1				
014	213174-0	X RING 14		1				
015	911225-0	PAN HEAD SCREW M5X16		4				
016	418806-6	CAP		1				
017	961012-7	STOP RING E-6		1				
018	154551-6	GEAR HOUSING COVER COMPLETE		1				
019	961012-7	STOP RING E-6		1				
020	154502-9	SLIDER SUPPORT COMPLETE		1				
021	233038-2	COMPRESSION SPRING 5		2				
022	423343-7	SEAL PLATE 14		1				
023	214170-1	PLANE BEARING 14A		1				
024	168410-8	SLIDER		1	*			
024-1	154804-3	SLIDER COMPLETE	O	1	*			
024-2	168410-8	SLIDER	O	1	*			
024-3	168410-8	SLIDER	O	1				
025	345487-2	SLIDE PLATE		1				
026	317842-8	GEAR HOUSING		1				
027	154547-7	BEARING COMPLETE		1	*			
027-1	154547-7	BEARING COMPLETE	O	1				
028	345486-4	PLATE B		1				
029	266086-6	HEX. SOCKET HEAD BOLT M5X16		2	*			
029-1	911225-0	PAN HEAD SCREW M5X16	O	2				

Model No.JR3070CT RECIPRO SAW

Item	Parts No.	Description	I/C	Qty	New/Old	Opt. 1	Opt. 2	Note
030	265530-0	HEX.SOCKET HEAD BOLT M5X8		3				
031	951051-5	SPRING PIN 3-8		1	*			
032	911225-0	PAN HEAD SCREW M5X16		3				
033	317844-4	BEARING BOX		1				
034	211101-1	BALL BEARING 6001LLB		1				
035	345488-0	GEAR PLATE		1	*			
036	213726-7	O RING 62		1				
037	154549-3	TORQUE LIMITER COMPLETE		1				
038	266012-5	TAPPING SCREW 5X35		4	*			
038-1	266373-3	TAPPING SCREW 5X35	O	4				
039	265149-5	+ COUNTERSUNK HEAD SCREW M6X16		1	*			
039-1	265165-7	TORX SOCKET C.S.HEADSCREW M6X16	O	1				
040	345479-1	SHOE GUIDE		1				
041	232222-6	LEAF SPRING B		1				
042	266086-6	HEX. SOCKET HEAD BOLT M5X16		2	*			
042-1	911225-0	PAN HEAD SCREW M5X16	O	2				
043	345485-6	PLATE A		1				
044	265531-8	HEX.SOCKET HEAD BOLT M6X14		1				
045	154545-1	CRANK CAM COMPLETE		1	*			
045-1	154545-1	CRANK CAM COMPLETE	O	1				
046	257265-7	RING 21		1				
047	313121-2	COUNTER WEIGHT		1				
048	154546-9	CRANK BASE COMPLETE		1				
049	345489-8	GUIDE PLATE		1				
050	211251-2	BALL BEARING 6003LLB		1				
051	265148-7	TORX SOCKET HEAD SCREW M5X14		4				
052	212957-5	NEEDLE BEARING 710		1				
054	418991-5	STOPPER		1				
055	231309-1	COMPRESSION SPRING 5		1				
056	272247-8	LEVER 20		1				
057	213021-5	O RING 5		1				
058	213021-5	O RING 5		1				
059	413095-8	PLATE C		1				
060	421899-4	SEAL RING		1				
061	268012-1	PIN 7		1				
062	162236-0	SHIFT BUTTON		1				
063	232221-8	LEAF SPRING A		1				
064	256158-5	PIN 3		1				
065	233345-3	COMPRESSION SPRING 6		1				
066	256492-3	SHOULDER PIN 5		1				

Please order the parts with part number.

Print Date 30/3/2020

Model No.JR3070CT RECIPRO SAW

Item	Parts No.	Description	I/C	Qty	New/Old	Opt. 1	Opt. 2	Note
067	961052-5	RETAINING RING S-12		1				
068	253744-3	FLAT WASHER 12		1				
069	211131-2	BALL BEARING 6001DDW		1				
070	253744-3	FLAT WASHER 12		1				
071	285719-4	BEARING RETAINER A		1				
072	241863-7	FAN 70		1				
073	513603-6	ARMATURE ASS'Y 220-240V		1				
D10		INC. 72,74,75						
074	681650-6	INSULATION WASHER		1				
075	210029-0	BALL BEARING 608ZZ		1				
076	266056-5	TAPPING SCREW 5X45		2	*			
076-1	266466-6	TAPPING SCREW 5X45	O	2	*			
076-2	266056-5	TAPPING SCREW 5X45	O	2				
077	418817-1	BAFFLE PLATE		1				
078	525718-7	FIELD ASS'Y 220-240V		1				
C10	654020-2	RING TERMINAL		2				
C20	654501-6	CONNECTOR P-1.25		2				
079	154498-4	MOTOR HOUSING COMPLETE		1				
C10	643708-9	BRUSH HOLDER 5-11		2				
080	650219-7	SWITCH TG71ARS-1		1	*			
080-1	650222-8	SWITCH TG71ARS-1	<	1				
081	265995-6	TAPPING SCREW 4X18		5				
082	183933-5	HANDLE SET		1				
D10		INC. 100						
083	665890-4	POWER SUPPLY CORD 1.0-2-4.0		1				
084	265995-6	TAPPING SCREW 4X18		2				
085	687052-4	STRAIN RELIEF		1	*			
085-1	687124-5	STRAIN RELIEF	O	1				
086	682573-1	CORD GUARD 10		1				
087	645253-0	NOISE SUPPRESSOR		1				
088	645006-7	NOISE SUPPRESSOR		1				
089	646049-2	CHOKE COIL		1				
092	631651-4	CONTROLLER		1				
093	213261-5	O RING 17		1				
094	418905-4	DIAL		1				
095	418518-1	SLEEVE		1				
096	421448-7	RUBBER BAND		1				
097	861231-4	JR3070CT NAME PLATE		1				
098	191963-2	CARBON BRUSH CB-303		1				
099	643750-0	BRUSH HOLDER CAP 7-11		2				
100	183933-5	HANDLE SET		1				
D10		INC. 82						

Please order the parts with part number.

Print Date 30/3/2020

Model No.JR3070CT RECIPRO SAW

Item	Parts No.	Description	I/C	Qty	New/Old	Opt. 1	Opt. 2	Note
101	125524-6	GEAR HOUSING COVER ASSEMBLY		1	*			
D10		INC. 3-14,16-20,22-25,27-29,			*			
D20		INC. 42,43,54-59,61-66			*			
101-1	127400-0	GEAR HOUSING COVER ASSEMBLY	<	1				
D10		INC. 3-14,16-20,22-25,27-29,						
D20		INC. 42,43,54-59,61-66						
A01	824734-9	PLASTIC CARRYING CASE		1	*			
C10	417724-5	LATCH		2	*			
A01-1	824734-9	PLASTIC CARRYING CASE	O	1	*			
C10	417724-5	LATCH		2	*			
C20	819143-5	MAKITA LABEL		1	*			
A01-2	821621-3	PLASTIC CARRYING CASE	O	1				
C10	162315-4	LATCH		2				
A02	792003-5	RECIPRO SAW BLADE SET		1	*			
A02-1	B-05038	RECIPRO SAW BLADE FOR METAL	<	1				
A03	B-05044	RECIPRO SAW BLADE FOR PLYWOOD		1				
A04	B-05153	RECIPRO SAW BLADE FOR WOOD		1				

Please order the parts with part number.

Print Date 30/3/2020